



SERIAL / DIGITAL INTERFACE SUBMERSIBLE LEVEL TRANSMITTER



Model BR913
Serial/Digital Interface Submersible
Level Transmitter

MODEL BR913

PRODUCT OVERVIEW:

Model BR913 from Blue Ribbon Corporation provides an asynchronous serial communication output (SDI-12-v 1.3) typically used in remote environments. The low power required (6.0 to 36 Vdc) is convenient for battery or solar power applications and provides direct communication with most data loggers and data acquisition systems. The incorporation of a hydrophobic breather vent and stainless steel housing ensure extended trouble-free service necessary for remote locations.

FEATURES:

- SDI-12 - Serial/Digital interface at 1200 baud
- 0-30" WC to 0-700 FTWC (762 mm to 213.4 meters WC)
- Welded, leak-proof, 316L stainless steel construction
- Optional 0.685" diameter
- Up to $\pm 0.05\%$ FSO accuracy
- Optional Tefzel® jacketed cable

APPLICATIONS:

- Ground water monitoring
- Remote well monitoring including wet wells, ponds, and riverbeds
- Water treatment
- Irrigation Systems

FIELD OPTIONS:

- Sludge screen for viscous media or wastewater
- Cable lengths to more than 3,000 ft with optional Tefzel® jacketed cable
- Titanium construction

BR5SL-006
REV-A

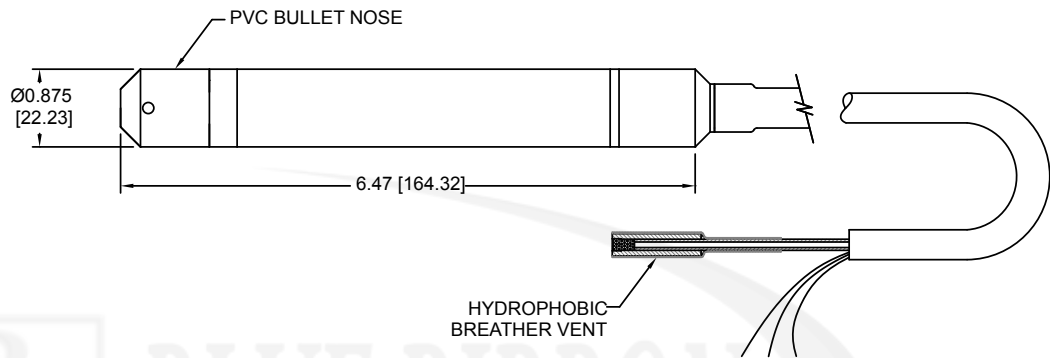
SERIAL/DIGITAL INTERFACE SUBMERSIBLE LEVEL TRANSMITTER

DIMENSIONAL DRAWING

All dimensions are in inches (mm)

STANDARD WIRING

WIRE	MODEL 913
RED	+EXC
BLK	-EXC
GRN	SDI-12 DATA
WHT	N/C
SHIELD	OPEN



REFERENCE SPECIFICATIONS

ELECTRICAL

- **Supply Voltage:** 6.0 to 36 Vdc
- **Output Signal:** SDI-12- standard version 1.3
- **Input Impedance:** >10 MΩ
- **Resolution:** 24-bit
- **Baud Rate:** 1200 baud
- **Circuit Protection:** Short circuit or reversed wired – Indefinite Input protection and EMC filtering
- **Response Time:** 1 sec.
- **Idle Current:** <50 μA, <15 mA consumption during measurement
- **Connection:** Hytrel jacketed, 4 conductor, 18 AWG with vent tube and hydrophobic filter, 8' long, optional lengths available

STATIC ACCURACY (HYSTERESIS, NON-LINEARITY & REPEATABILITY @ +70 °F)

- **Standard:** ±0.5% FSO
- **Improved:** ±0.20% FSO, ±0.1% FSO, ±0.5% FSO
- **Zero Balance and FSO:** ±1.0% FS

MATERIALS OF CONSTRUCTION

- **Housing:** 316L SST (Optional Titanium)
- **Pressure Cavity:** 316L stainless steel (Optional Titanium)

MECHANICAL

- **Process connection:** PVC bullet nose
- **External Pressure:** Case rated to 900 FTWC (275 Meters WC)
- **Proof Pressure:** 2X FSO
- **Burst Pressure:** 3X FSO
- **Weight:** <10 oz, 284 g
- **Diameter:** 0.875" (2.2 cm) standard; 0.685" (1.7 cm) optional

PRESSURE RANGES

- 0-30" WC to 0-700 feet WC (762 mm to 213.4 meters WC)

THERMAL SPECIFICATIONS

- **Compensated:** 0 °F to +140 °F (-7 °C to +60 °C)
- **Operating Temperature:** -40 °F to +185 °F (-40 °C to +85 °C)
- **Storage:** -40 °F to +195 °F (-40 °C to +90.6 °C)
- **Effect on Zero/Span:** <±2.0% FSO/100 °F
- **Temperature Resolution:** ±0.1 °C

All specifications are for reference purposes only. In the interests of continuous product improvement, all specifications are subject to change without notice. Please contact Blue Ribbon Corporation for assistance with your application.

